

## Cleo Pendant

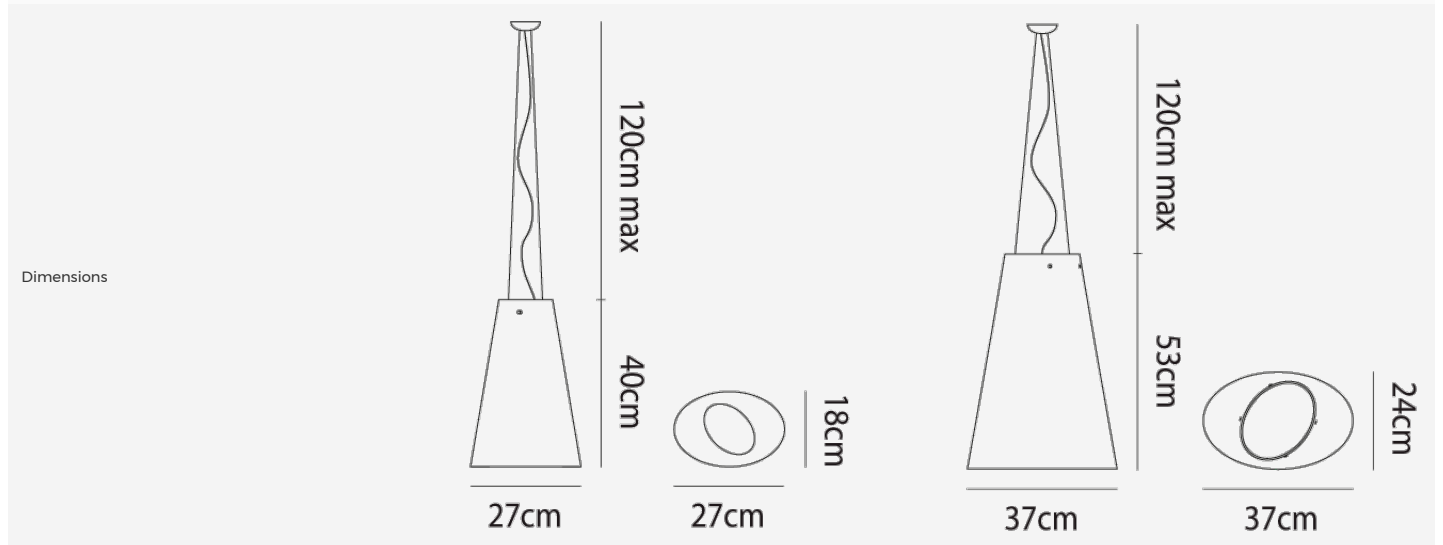


### Description

The Barbara Maggiolo designed Cleo is a suspension pendant featuring a lucid blown glass shade with an oval base which twists 90 degrees to its top oval aperture. Available in two sizes in white finish.

## Additional Information

Supplier	VISTOSI
Designer	Barbara Maggiolo
Country	Italy
Finishes	White
Materials	Blown Glass
SKU	VI S/CLEO
IP Rating	IP20
Source	Lampholder
Lamp Base	1 x E27 100W
Dimmable	Dependent on globe



Max Drop	120cm
Warranty	12 months