

Lucciola Pendant

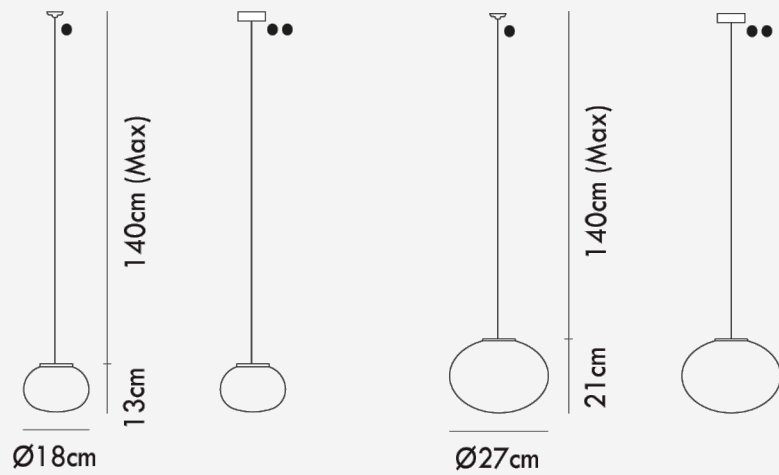


Description

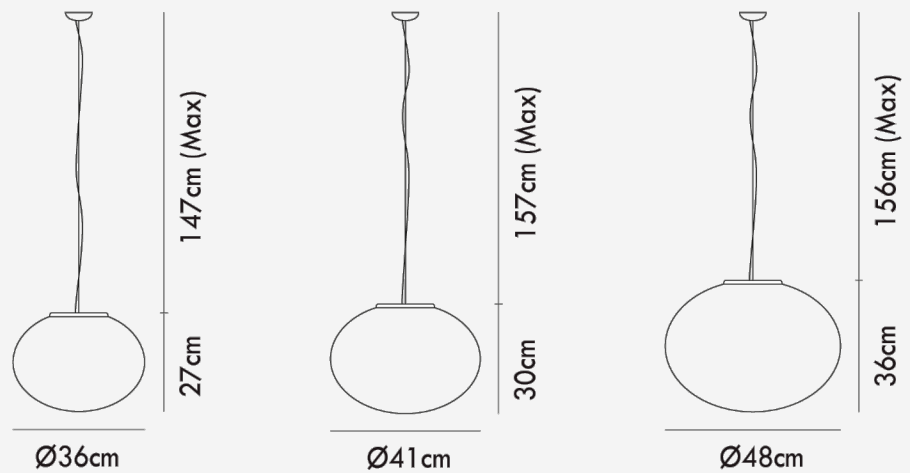
The **Lucciola Range** from Vistosi is a collection of satin white hand-blown Murano glass pendants which emit a soft diffused light. The timeless contemporary design will suit a variety of spaces. Available in 5 sizes. Handmade in Italy.

Additional Information

| | |
|-----------|---|
| Supplier | VISTOSI |
| Country | Italy |
| Finishes | White |
| Materials | Blown Glass |
| SKU | VI S/LUCCIOLA |
| IP Rating | IP20 |
| Source | Lampholder |
| Lamp Base | <ul style="list-style-type: none"> · 18cm & 27cm: 1 x E14 48W (Max) · 36cm P: 1 x E27 100W (Max) · 41cm M: 3 x E27 100W (Max) · 48cm G: 3 x E27 75W (Max) |
| Dimming | Dependent on globe |



Dimensions



| | |
|-------------------|---|
| Gross Weight (kg) | <ul style="list-style-type: none"> 18cm: 1kg 27cm: 3 36cm: 4.5kg 41cm: 6.5kg 48cm: 8kg |
| Net Weight (kg) | <ul style="list-style-type: none"> 18cm: 0.5kg 27cm: 1.5 36cm: 2.5kg 41cm: 3.5kg 48cm: 4kg |
| Warranty | 12 months |